



Make the move from CCTV to IP-based monitoring with the affordable Sony SNC-CS10 and SNC-CS11

The Sony SNC-CS10 and SNC-CS11 cameras are designed specifically for high-quality and affordable network-based monitoring. They combine high performance with value-added features such as built-in activity detection and pre-/post-alarm recording, and also boast a DC Servo Auto Iris Lens capability that makes them ideal for both indoor and outdoor use. Plus, because they are similar in size to CCTV cameras, you can install them using 8-inch camera housings.

Equipped with Sony progressive scan CCDs and advanced DSP technology, these cameras produce high-resolution images and deliver excellent color reproduction capabilities. They also support both JPEG and MPEG-4 compression formats for great flexibility when configuring your network environment or choosing an application.

For further efficiency and effectiveness in operating your IP monitoring system, these cameras offer a simultaneous access capability, a multicasting feature, and a choice of network security functions such as IP filtering and password protection.

If you want an affordable, feature-rich solution for your IP-based security and surveillance applications, the Sony SNC-CS10 and SNC-CS11 cameras are a perfect choice.

Sony Network Cameras

SNC-CS10 SNC-CS11



SNC-CS11

Connect Your Vision

IPELA™

FEATURES

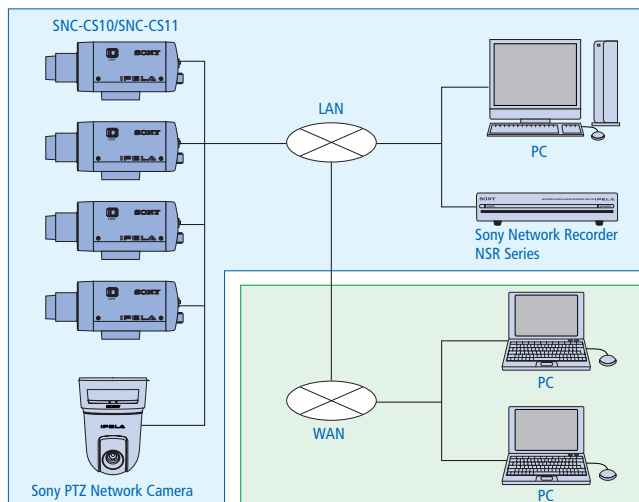
- **Compact and Slim**
 - Design inherited from CCTV cameras
 - Fits 8-inch camera housings
- **DC Servo Auto Iris Lens capability – ideal for both outdoor and indoor use**
- **Sony progressive scan CCDs and advanced DSP technology – provides clear and detailed images while maintaining high sensitivity**
- **Variety of power options: AC 24 V, DC 12 V, or PoE (Power over Ethernet)*1**
 - Easy wiring with PoE (SNC-CS11 only)
- **Analog video output – ideal for use when adjusting the camera viewing angle during installation**
- **Flange-back adjustment – for precise and easy focus settings**
- **Choice of compression formats: MPEG-4 and JPEG**
- **Five preset JPEG picture-quality settings with constant bitrate algorithm**
 - Limits data bitrate while maintaining high-quality images
 - Ideal when network bandwidth is limited
 - Useful for calculating storage capacity and the required bandwidth during installation
- **Alarm function – with motion detection and pre-/post-alarm recording modes**
- **Bi-directional audio function (SNC-CS11 only)**
- **Aspherical vari-focal lens – eliminates spherical aberration and minimizes wide-angle distortion (SNC-CS11 only)**

*1 The SNC-CS10 does not support PoE.

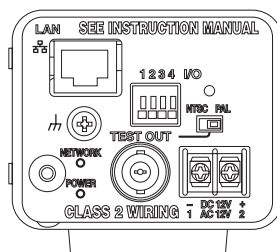
SPECIFICATIONS

	SNC-CS10	SNC-CS11
Camera		
Image device	1/4-type Progressive Scan CCD	
Number of effective pixels	330,000 pixels (659 x 494)	
Electronic shutter	Auto/Manual, Slow shutter ON/OFF	
Gain control	Auto/Manual (0 dB to +18 dB)	
Exposure control	Auto Iris Lens/Manual Iris Lens	
White balance mode	ATW/Tungsten bulb/Daylight/One-push auto/Manual	
Lens type	–	CS-mount vari focal zoom lens
Zoom ratio	–	2.7x Optical zoom
Horizontal viewing angle	26.9 to 66.6 degrees	
Focal length	f=3.0 to 8.0 mm (F1.0 to F1.4)	
F-number	F1.0 (wide), F1.4 (tele)	
Other functions	Motion Detection, Pre-/post-alarm recording	
Image		
Image size (H x V)	640 x 480, 480 x 360, 384 x 288, 320 x 240, 256 x 192, 160 x 120 (JPEG, MPEG-4)	
Compression format	JPEG, MPEG-4	
Maximum frame rate	JPEG : 18 fps / MPEG4 : 15 fps (640 x 480)	
Audio		
Audio compression	G.711 (64 kbps)/G.726 (40, 32, 24, 16 kbps)	
Network		
Protocols	TCP/IP, HTTP, ARP, ICMP, FTP, SMTP, DHCP, SNMP(MIB2), DNS, NTP, RTP/RTCP, PPPoE	
Number of clients	JPEG: 20, MPEG-4: 10	
Interface		
Ethernet	10Base-T/100Base-TX (RJ-45)	
Analog video output	BNC x1, 1.0 Vp-p, 75 Ω	
I/O port	Sensor in x 1, Alarm out x 1	
External microphone input	–	
Audio line output	–	Mini-jack (monaural), max output level: 1 Vrms
Analog video output		
Signal system	NTSC/PAL (Composite)	
Horizontal resolution	400 TV lines	
S/N ratio	50 dB (AGC OFF)	
Min. illumination	1.7 lx (50 IRE, F1.0, AGC ON)	
General		
Mass	approx. 430 g (15 oz)	approx. 475 g (1 lb 1 oz)
Dimensions (W x H x D)	70 x 57 x 116 mm (2 7/8 x 2 1/4 x 4 5/8 inches)	70 x 57 x 158 mm (2 7/8 x 2 1/4 x 6 1/4 inches) Including lens
Power requirements	AC 24 V/DC 12 V	AC 24 V/DC 12 V/PoE
Power consumption	5.4 W max.	
Operating temperature	-10 to 50 °C (14 to 122 °F)	
Storage temperature	-20 to 60 °C (-4 to 140 °F)	
System requirements		
Operating system	Microsoft Windows 2000/XP	
Processor	CPU: Intel Pentium III 1 GHz or higher	
Memory	RAM: 256 MB or more	
Web browser	Microsoft Internet Explorer Ver. 6.0	
Supplied accessories		
	Screw, Wire rope, CD-ROM (users guide, IP setup program, SNC audio upload tool, SNC video player, Customer homepage installer), Installation manual, B&P Warranty booklet, Warranty sheet	

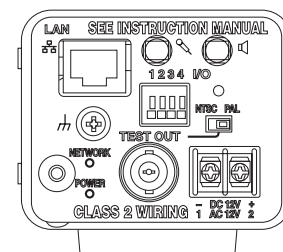
SYSTEM CONFIGURATION



REAR PANEL LAYOUT

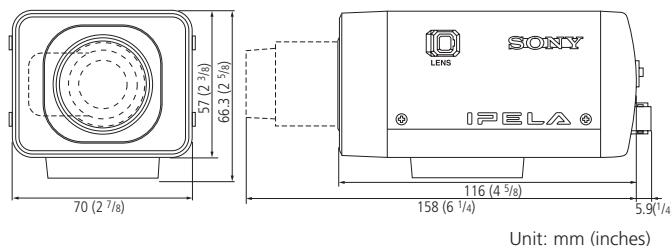


SNC-CS10



SNC-CS11

DIMENSIONS



Unit: mm (inches)

RECOMMENDED NETWORK RECORDERS



Network Surveillance Recorders

NSR Series (NSR-25/NSR-50/NSR-100)

Distributed by

MK10349V1IW06MAY

©2006 Sony Corporation. All rights reserved.
 Reproduction in whole or in part without written permission is prohibited.
 Features and specifications are subject to change without notice.
 All non-metric weights and measurements are approximate.
 Sony is a registered trademark of Sony Corporation.
 IPELA is a trademark of Sony Corporation.